

## Features

- Monostable
- Passes FCC part 68
- Ultra low profile, 4.90mm height
- UL/CUL certified

## Contact Data

Contact Arrangement	2C = DPDT, bifurcated contact
Contact Rating	1A @ 30VDC, Resistive .5A @ 125VAC, Resistive

Contact Resistance	< 50 milliohms initial
Contact Material	AgPd stationary contact, Au plated
Maximum Switching Power	30W
Maximum Switching Voltage	250VAC, 220VDC
Maximum Switching Current	1A

## Coil Data

Coil Voltage VDC		Coil Resistance Ω +/- 10%	Pick Up Voltage VDC (max) 75% of rated voltage	Release Voltage VDC (min) 10% of rated voltage	Coil Power W	Operate Time ms	Release Time ms
Rated	Max						
3	3.9	64.3	2.25	0.30	.14	2	1
5	6.5	178	3.75	0.50			
6	7.8	257	4.50	0.60			
9	11.7	579	6.75	0.90			
12	15.6	1028	9.00	1.20			
24	31.2	2880	18.00	2.40	.20		

## General Data

Electrical Life @ rated load	200K cycles, typical
Mechanical Life	100M cycles, typical
Capacitance: between open contacts	0.4pF
between coil & contacts	0.9pF
between contact poles	0.2pF
Dielectric Strength, Coil to Contact	1000V rms min. @ sea level
Contact to Contact	1000V rms min. @ sea level
Shock Resistance	500m/s <sup>2</sup> for 11 ms
Vibration Resistance	3mm double amplitude 10~40Hz
Terminal (Copper Alloy) Strength	5N
Operating Temperature	-40°C to +85°C
Storage Temperature	-40°C to +155°C
Solderability	260°C for 5 s
Weight	1.5g

### Caution

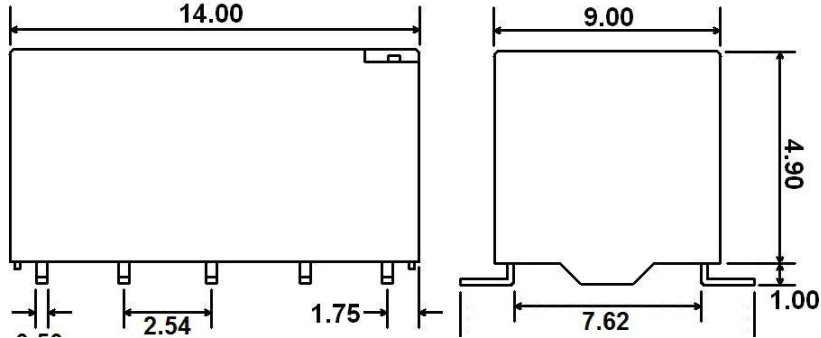
1. The use of any coil voltage less than the rated coil voltage may compromise the operation of the relay.

## Ordering Information

1. Series	J850SM	2C	S	6VDC
J850SM				
2. Contact Arrangement	2C = DPDT			
3. Sealing Option	S = Sealed			
4. Operating Function	Blank = Monostable			
5. Coil Voltage	3VDC 5VDC 6VDC 9VDC 12VDC 24VDC			

## Dimensions

Units = mm



## Schematics & PC Layouts

Bottom Views

